

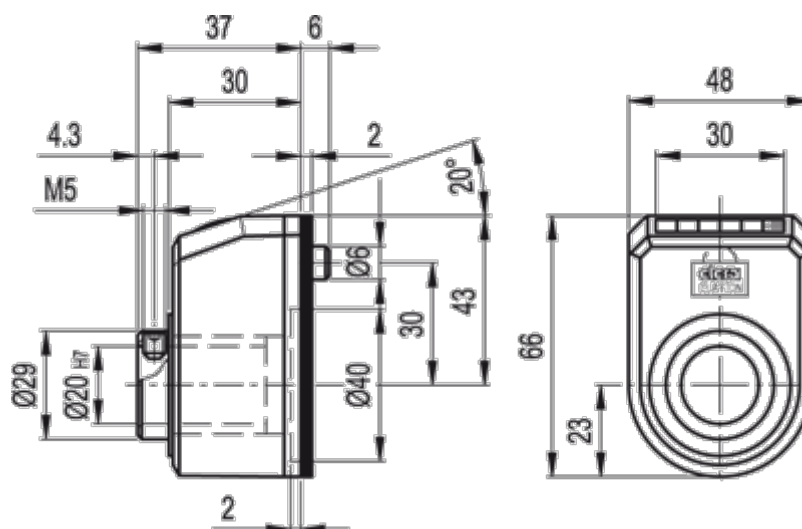
Data Sheet



Article number: 2307083233

Description: E+G Direct drive position indikator
DD52R-FN-0004.0-D-C2 (Orange)

Measures



Max rpm = 625